



## Description

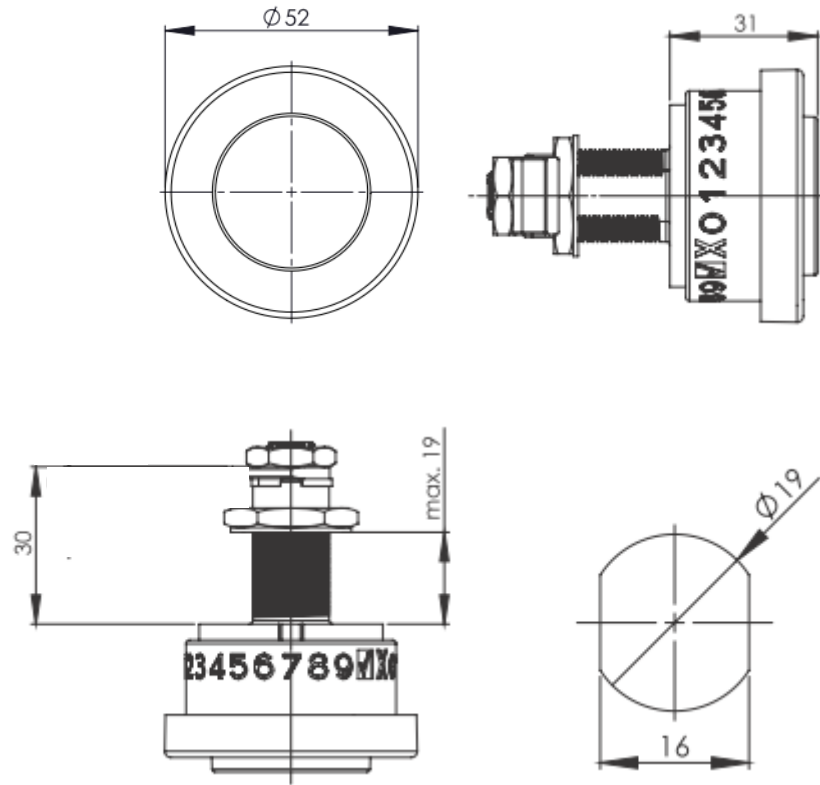
The **A158 evo+** is a well designed functional locking system. The design is based on modern navigation systems and makes it easy to operate the **evo+**

The „**evo**” - series is working in an easy and functional way:

**TURN and PUSH ...**

**Typical applications include:** Lockers, cupboards, medical charts, furniture etc.

T: +49 (0)6897 – 9072 - 0  
F: +49 (0) 6897 – 9072 - 99  
W: [www.euro-locks.de](http://www.euro-locks.de)  
E : [vertrieb@euro-locks.de](mailto:vertrieb@euro-locks.de)  
Euro-Locks GmbH  
Am Bruchwald 22  
D-66280 Sulzbach/Saar



## Features

- + fits standard drill hole and cam locks
- + quick and easy operation
- + better protection against destruction in case of vandalism
- + no key or transponder required
- + up to 100.000 locking cycles with one battery
- + more than 1 million user-code variations
- + more than 10 billion master-code variations
- + comfortable to handle (ergonomic)
- + master function
- + wireless installation
- + abort function for incorrect code entry
- + no external programming devices needed
- + can be used right/left hand

T: +49 (0)6897 – 9072 - 0  
F: +49 (0) 6897 – 9072 - 99  
W: [www.euro-locks.de](http://www.euro-locks.de)  
E : [vertrieb@euro-locks.de](mailto:vertrieb@euro-locks.de)  
Euro-Locks GmbH  
Am Bruchwald 22  
D-66280 Sulzbach/Saar