

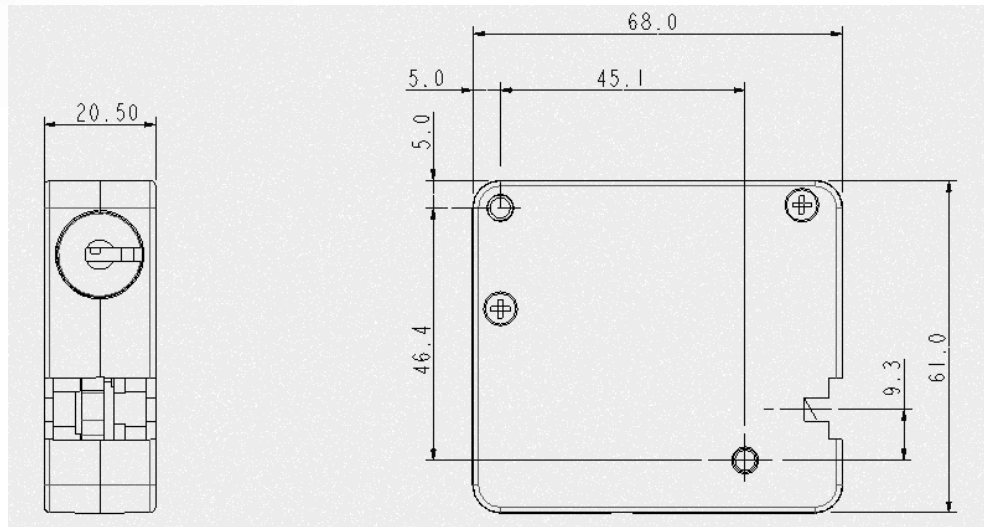


Description

Designed specifically to meet the requirements of system specifiers, the standard slam lock module can be integrated into any existing access control system which provides a 12V feed signal. System control is simplified via the closes loop feedback circuit indicating the status of the lock.

Worldwide unique with it's mechanical override key.

T: +49 (0)6897 – 9072 - 0
F: +49 (0) 6897 – 9072 - 99
W: www.euro-locks.de
E : vertrieb@euro-locks.de
Euro-Locks GmbH
Am Bruchwald 22
D-66280 Sulzbach/Saar



Features

- Integrates with existing electronic access control systems
- IT compatible or stand alone operation
- Remote access via network controller
- Closed loop electronic feed-back
- Fail safe locking via slam lock closure
- Burst load release up to 100N.
- Releases with 12V, 1A - 1 second pulse
- Slam to latch, electric release
- Mechanical key override
- Tough ABS moulded body
- Compact slim line fixing
- Min 50,000 operating cycles

T: +49 (0)6897 – 9072 - 0
F: +49 (0) 6897 – 9072 - 99
W: www.euro-locks.de
E : vertrieb@euro-locks.de
Euro-Locks GmbH
Am Bruchwald 22
D-66280 Sulzbach/Saar